

DESCRIPTION

New lightweight modular suspension beam with reaches up to 14'. The standard 8' aluminum beams provide reach up to 54" suitable for most suspended applications. Reaches up to 72" are possible replacing the standard splice with an extended splice. For the standard configurations, the lightweight 8 ft. aluminum beam is used in all three positions, resulting in less inventory to carry

When longer reaches are required 8ft., 12ft. and 14ft. Configurations are available by adding a few optional accessories. The system has been engineered to use fewer optional accessories to economically convert the beam for extended reaches up to 14 ft. By using the standard 8' beam and splices for most of the provides the most cost-efficient solution

Two counterweight bars are available based on the weights you already own Longhorn or Stud type.

FEATURES

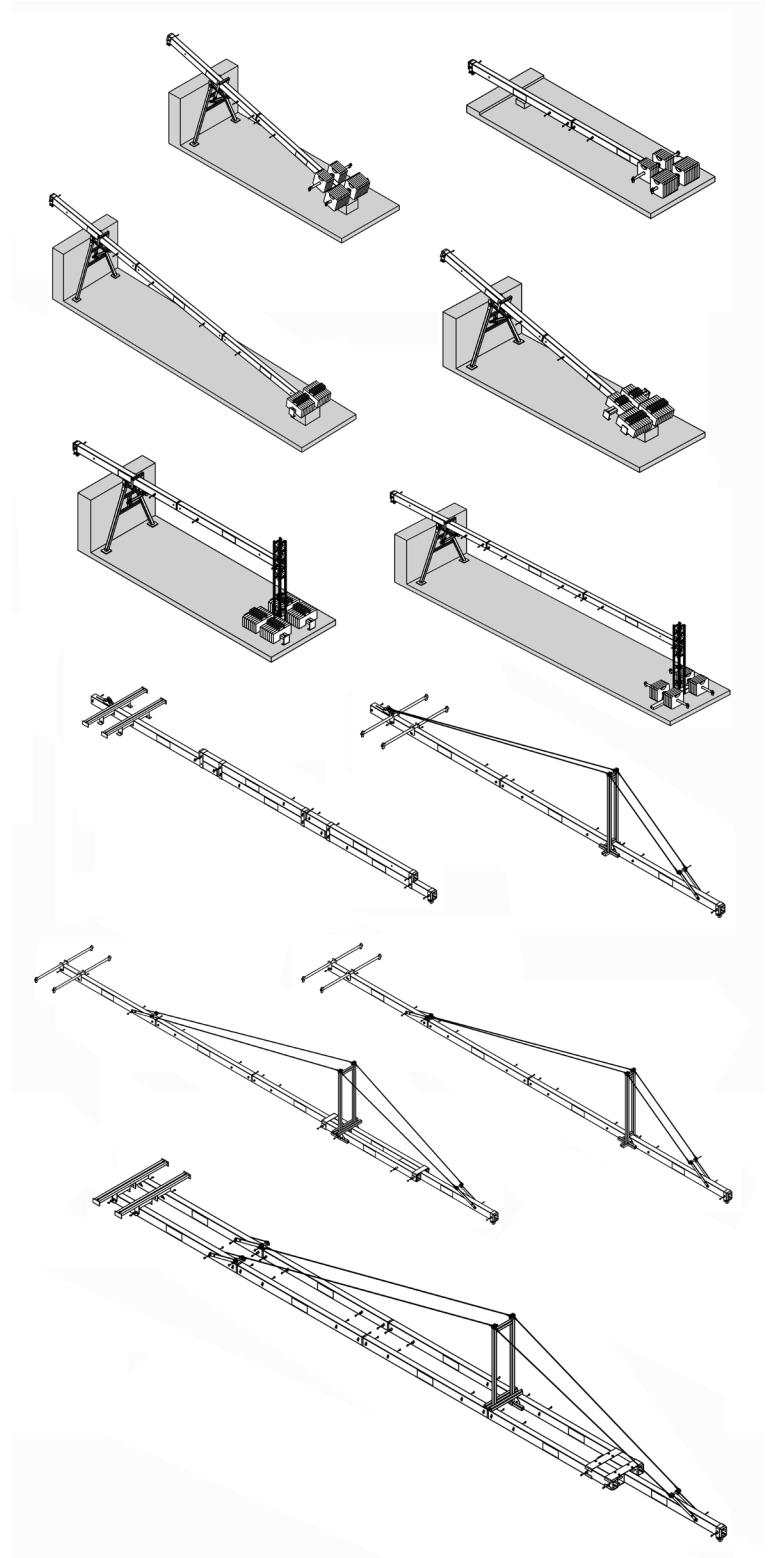
- 1,000 lb. Capacity
- Lightweight 8 ft. aluminum beam – easy to transport
- One standard beam – less inventory
- The modular design provides reaches from 2 to 14 ft.
- Quick field – no tools required
- Easy rigging with simple connector pins
- Available in two main configurations:
 - Two 8 ft. beams for compact installations
 - Three 8 ft. beams for fewer counterweights
- Short splice for up to 4 ½ ft. reaches
- Extended splice for reaches up to 6 ft.
- Three beam stands available 24" 42" and 60" heights
- Beams stands automatically adjust to the angle of the beam
- Standard 8' beam reduces chances of shipping errors
- Uses standard stud or longhorn counterweights
- OSHA / CSA compliant system

APPLICATIONS

- Rental Companies
- Window Washing
- Construction
- Lifting Applications
- Suspending Platforms
- Facade work
- Bridges
- Industrial Services

APPLICABLE STANDARDS

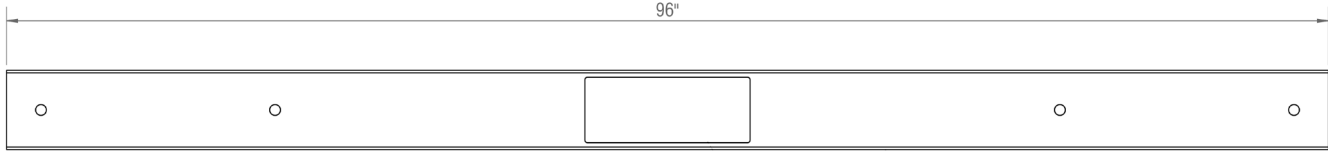
- OSHA / CSA compliant system



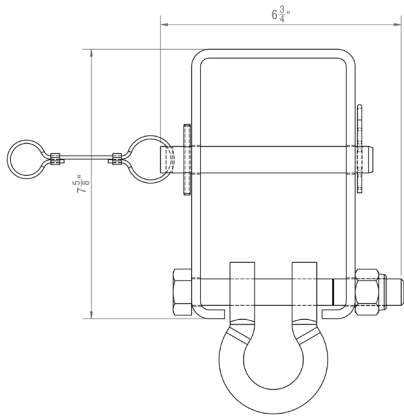
MAIN COMPONENTS

Part #	Description	lbs.	kg
RBL1100	8 ft. Aluminum skybeam® (front, middle & rear)	32.4	14.7
RBL1150	Roofbeam Collar	4.4	2.0
RBL1160	Roofbeam Splice 44" long	16.9	7.7
RBL1162	Roof Beam - Pin	62.3	28.3
RBL1165	Roofbeam Splice 82 1/2" long	39.2	17.8
RBL1174	Roof Beam - 17 1/2" Pin For 12ft	2.2	1.0
RBL1176	Roof Beam - 25 3/4 Pin For 14ft	2.2	1.0
RBL1185	Roof Beam End Bracket	19.6	8.9
RBL1235	Roof Beam Truss Cable Bracket	9.5	4.3
RBL1250	Roof Beam Truss - 8ft Reach	62.3	28.3
RBL1260	Roof Beam Truss - 12/14ft Reach	78.4	35.6
RBL1270	14 ft Roof Beam Cross	28.2	12.8
RBL1277	Double Stack Strap	2.3	1.0
RBL1280	12 ft Roof Beam Strap	6.0	2.7
RBL1290	Roof Beam Truss Cable 8ft Front 86"	2.3	1.0
RBL1291	Roof Beam Truss Cable 8ft Rear 121"	3.3	1.5
RBL1294	Roof Beam Truss Cable 12ft Front 133"	3.5	1.6
RBL1296	Roof Beam Truss Cable 14ft Front 152"	3.7	1.7
RBS1100	Roofbeam Rear Stand	60.3	27.3
RBS1140	Roofbeam Stand 24" Height	46.3	21.1
RBS1150	Roofbeam Stand 42" Height	57.6	26.2
RBS1160	Roofbeam Stand 60" Height	63.4	28.8
RBW1110	37 3/8" Stud Counterweight Holder	18.5	8.4
RBW1210	42 3/8" Stud Counterweight Holder	26.2	11.9
RBW1310	44" Longhorn Counterweight Bar	17.0	7.7
RBW1320	58" Longhorn Counterweight Bar	26.2	11.9
RBW1330	Longhorn Counterweight Mount for 14 ft. Reach	13.0	5.9

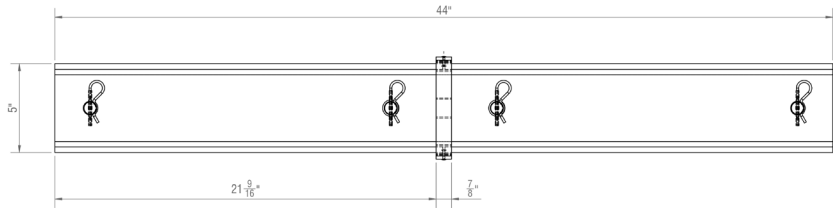
MAIN COMPONENTS TECHNICAL INFORMATION



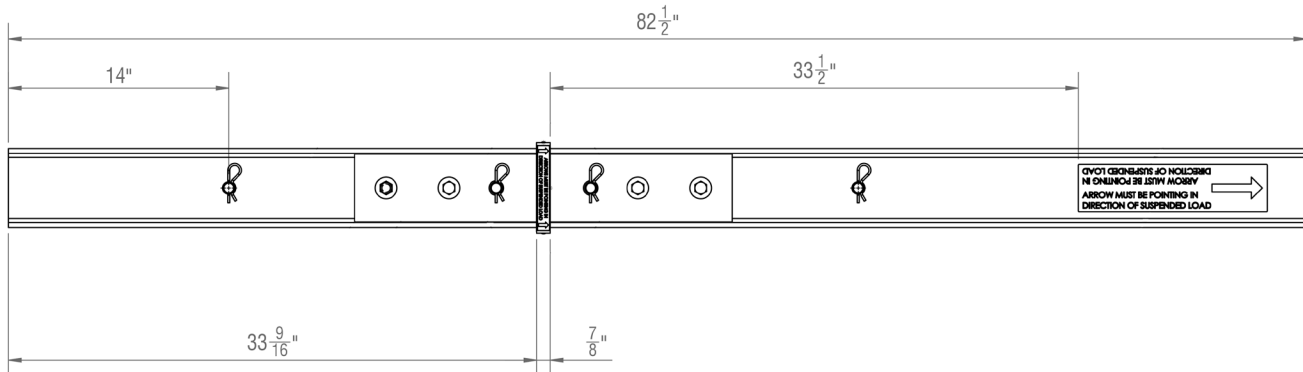
RBL1100 - 8 ft. Aluminum skybeam® (front, middle & rear)



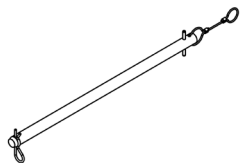
RBL1150 - Roofbeam Collar



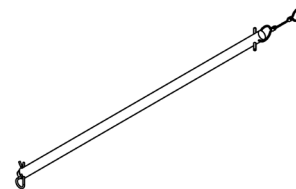
RBL1160 - Roofbeam Splice 44" long



RBL1165 - Roofbeam Splice 82 1/2" long

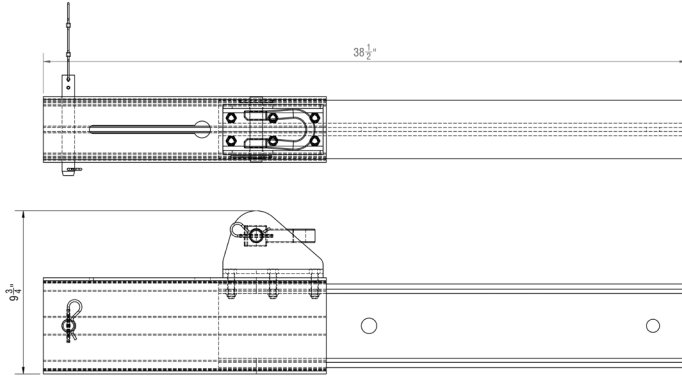


RBL1174 - Roof Beam - 17 1/2" Pin For 12ft

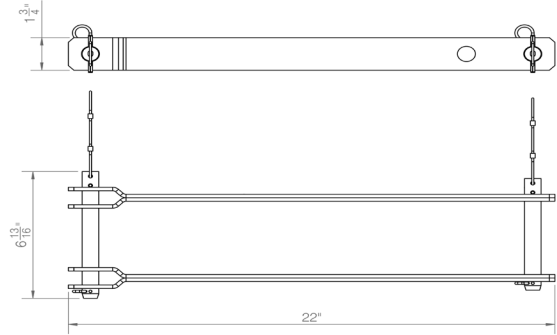


RBL1176 - Roof Beam - 25 3/4" Pin For 14ft

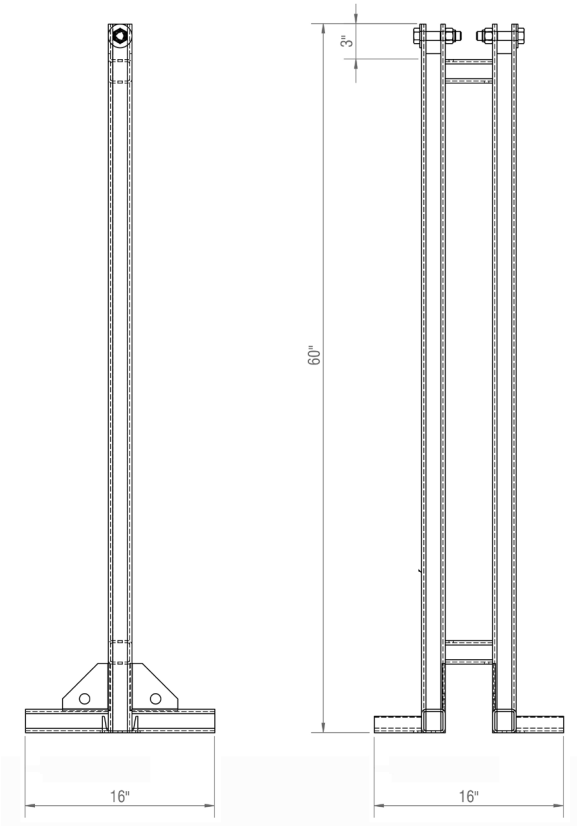
MAIN COMPONENTS TECHNICAL INFORMATION



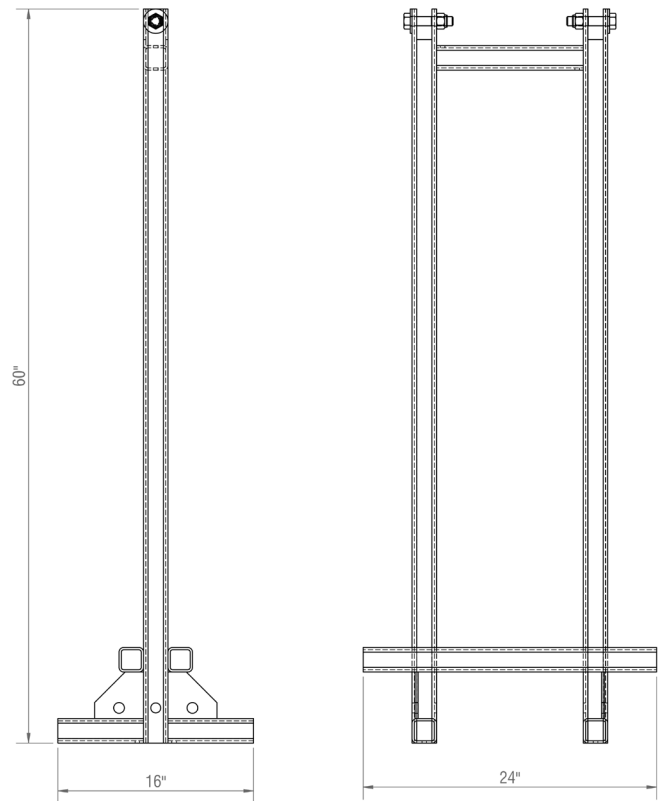
RBL1185 - Roof Beam End Bracket Assembly



RBL1235 - Roof Beam Truss Cable Bracket

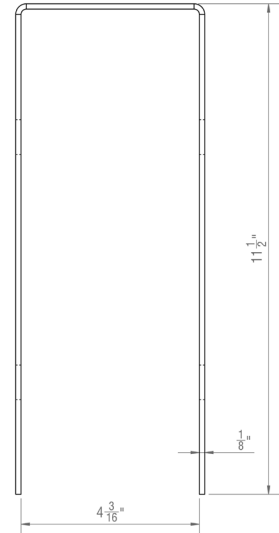
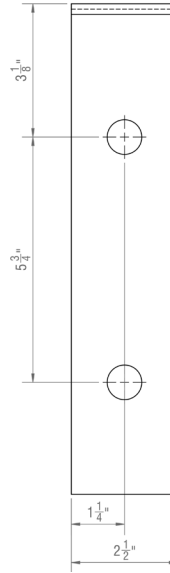
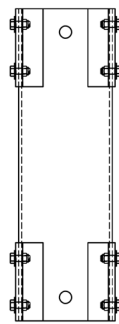
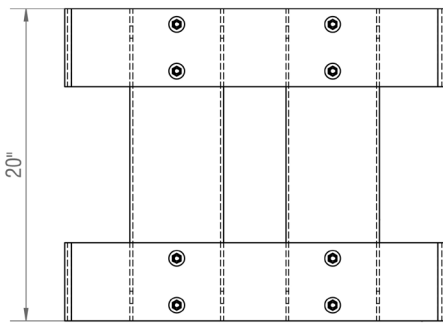
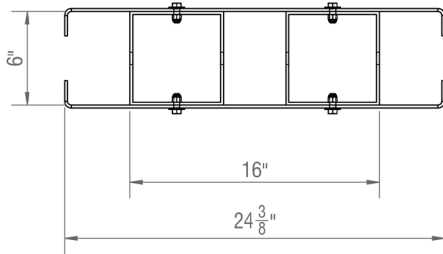


RBL1250 - Roof Beam Truss - 8ft Reach



RBL1260 - Roof Beam Truss - 12/14ft Reach

MAIN COMPONENTS TECHNICAL INFORMATION

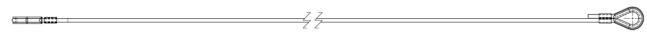


RBL1270 - 14 ft Roof Beam Cross

RBL1277 - Double Stack Strap

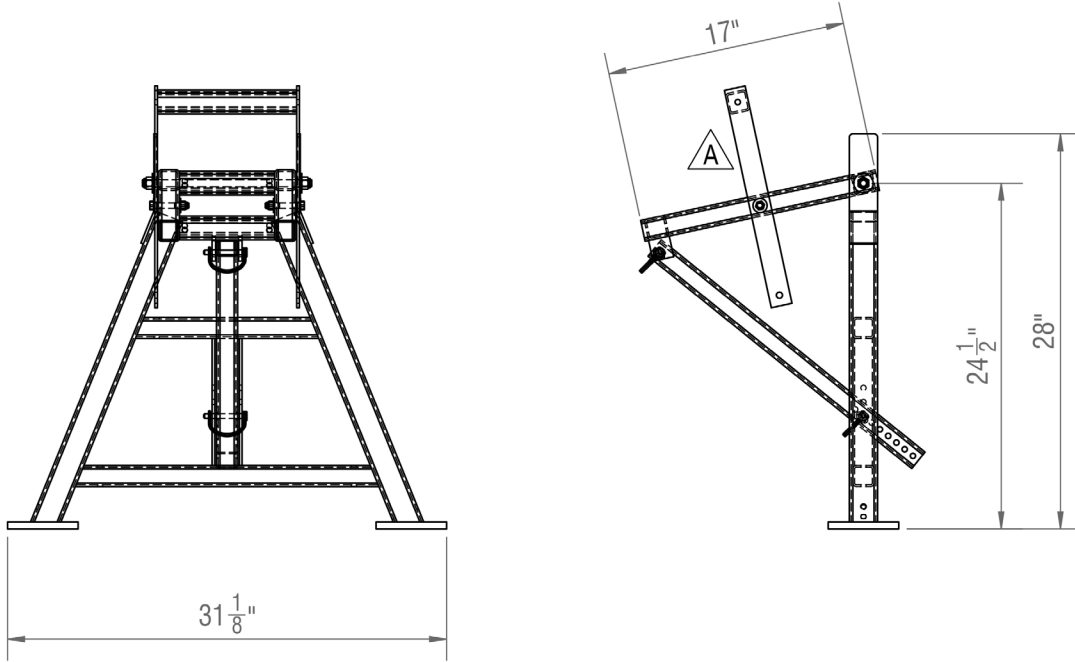


RBL1280 - 12 ft Roof Beam Strap

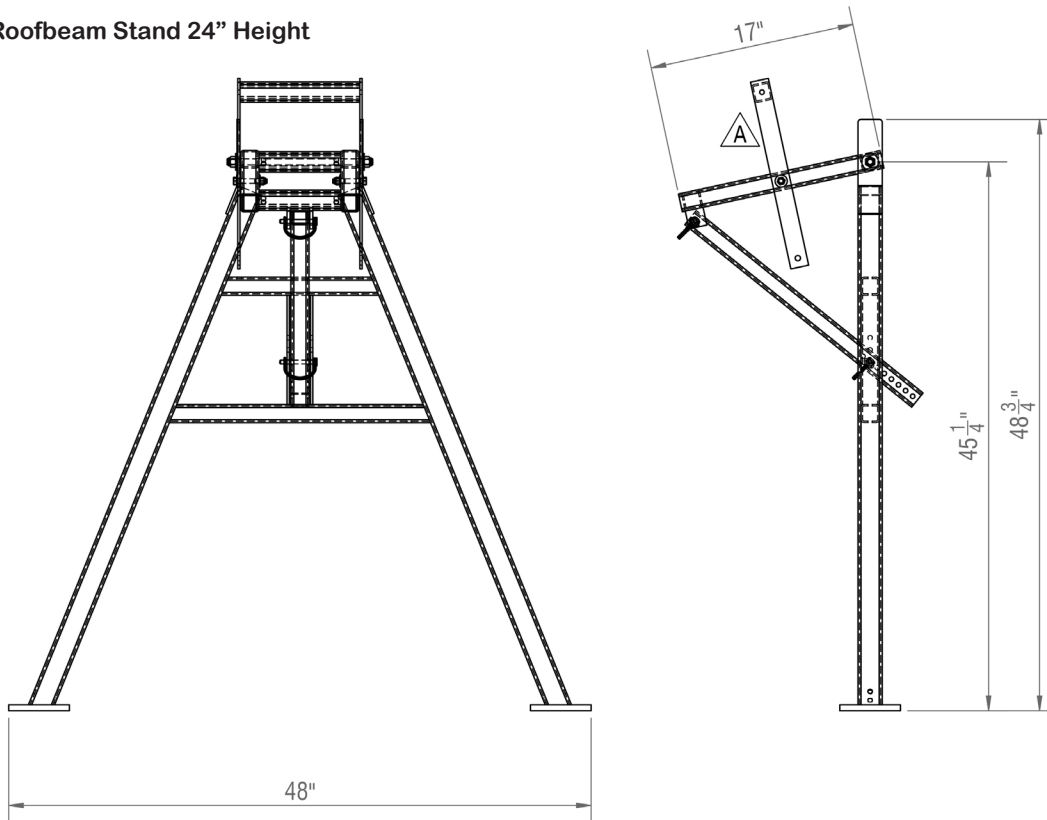


- RBL1290 - Truss Cable Assembly - 86" Front
- RBL1291 - Truss Cable Assembly - 123" Rear
- RBL1294 - Truss Cable Assembly - 133" Front
- RBL1296 - Truss Cable Assembly - 152" Front

MAIN COMPONENTS TECHNICAL INFORMATION



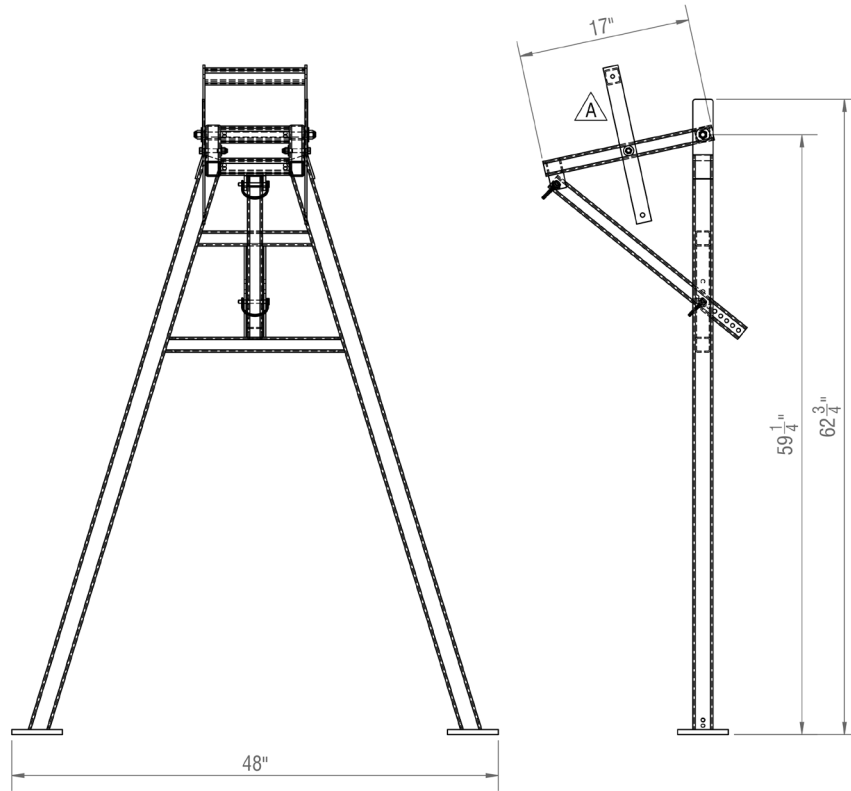
RBS1140 - Roofbeam Stand 24" Height



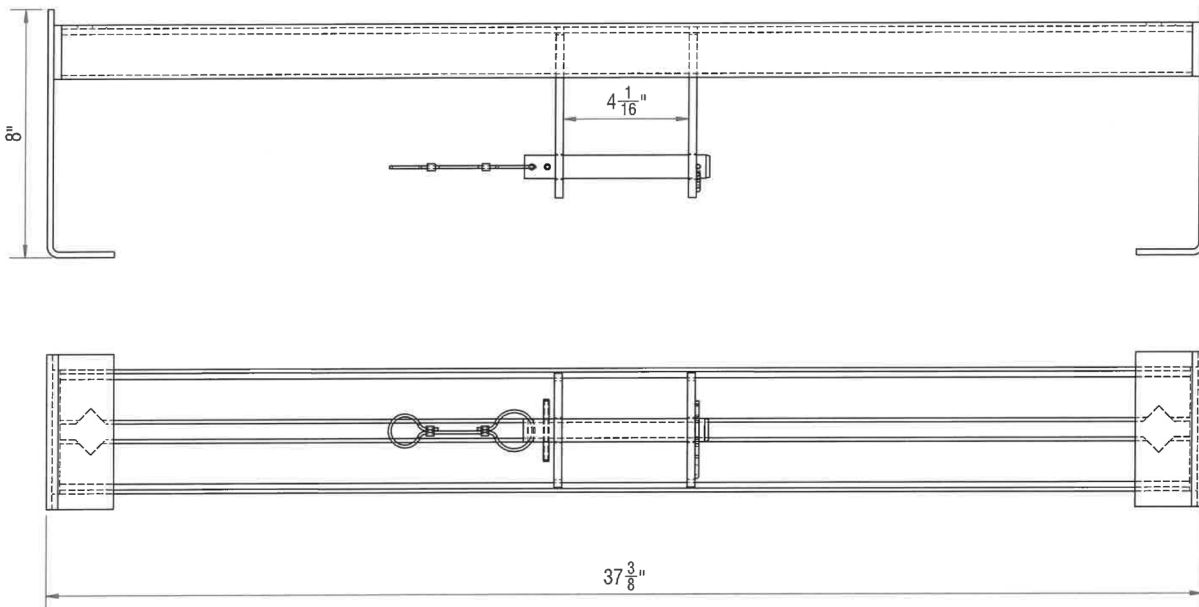
RBS1150 - Roofbeam Stand 42" Height

Specifications are subject to change without notice. Images are for illustrative purposes only.

MAIN COMPONENTS TECHNICAL INFORMATION

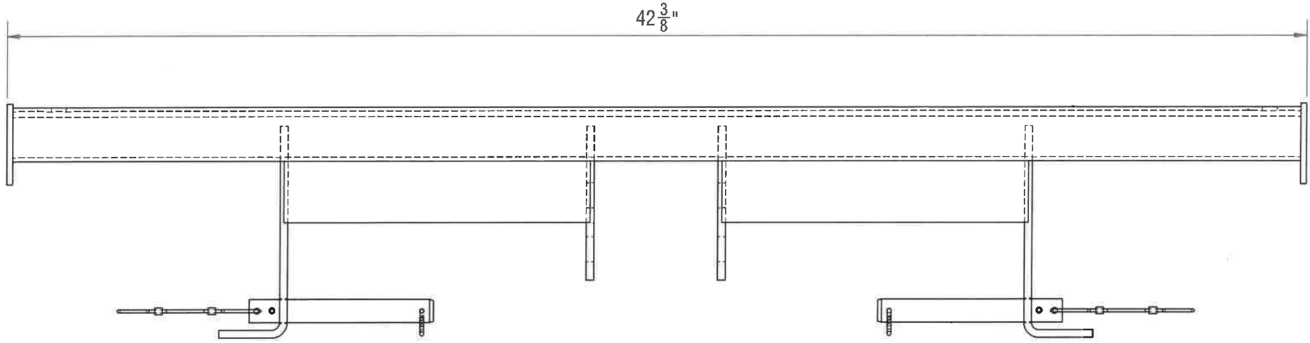


RBS1160 - Roofbeam Stand 60" Height

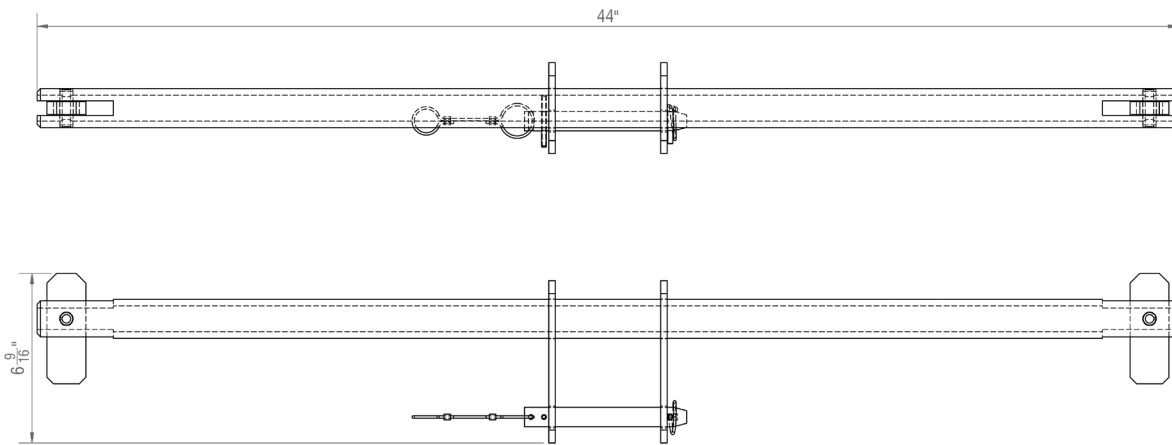


RBW1110 - 37 3/8" Stud Counterweight Holder

MAIN COMPONENTS TECHNICAL INFORMATION

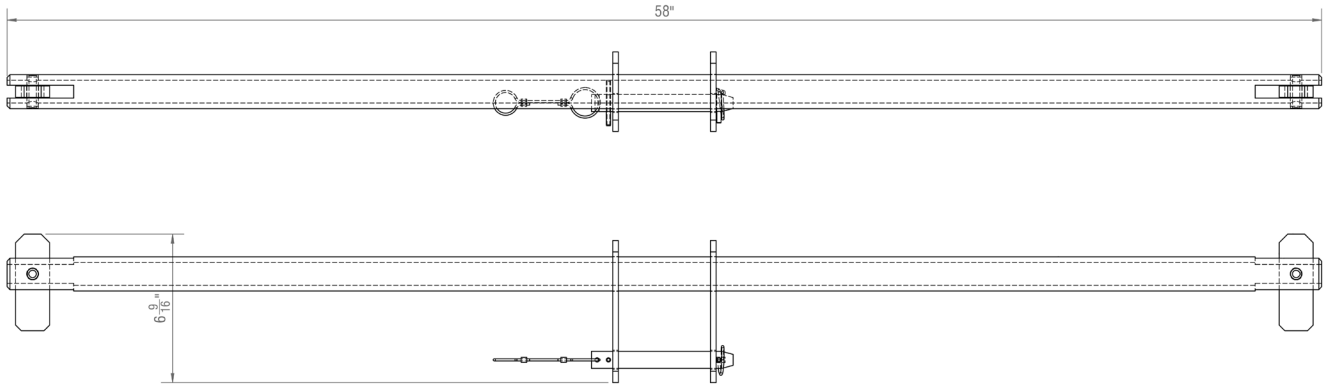


RBW1210 - 42 3/8" Stud Counterweight Holder

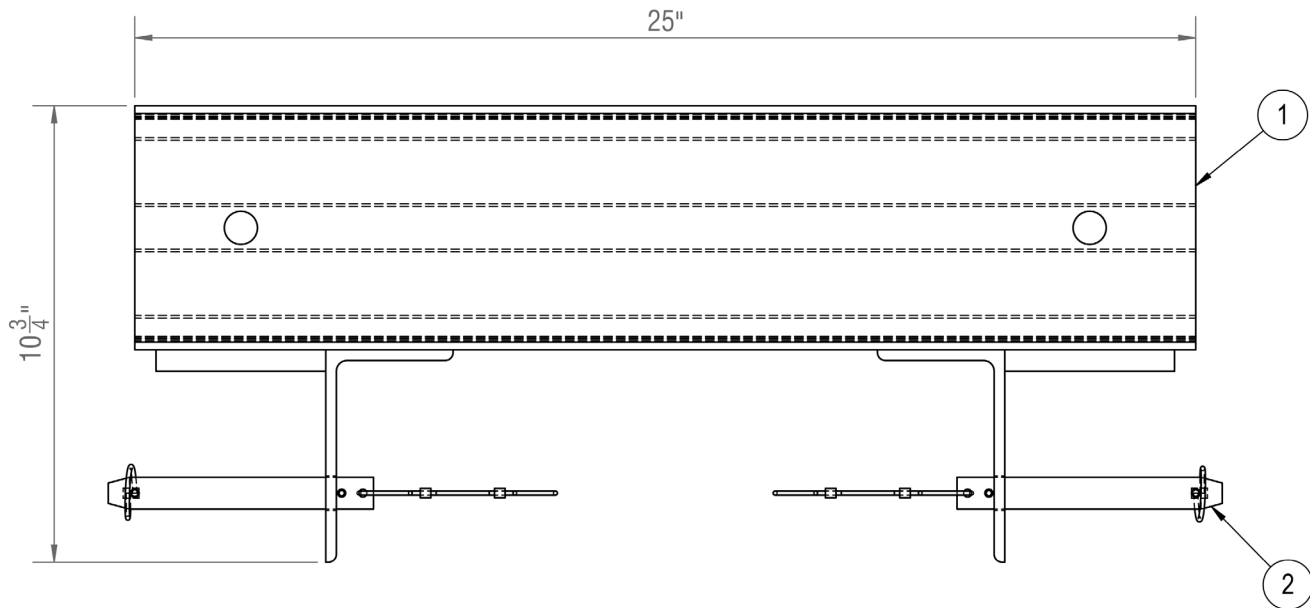


RBW1310 - 44" Longhorn Counterweight Bar

MAIN COMPONENTS TECHNICAL INFORMATION



RBW1320 - 58" Longhorn Counterweight Bar



RBW1330 - Longhorn Counterweight Mount