

The lightweight Tracpod rescue aluminum tripod is designed to provide a reliable support for accessing confined spaces.

For further information, refer to "Use and Maintenance Instructions" for confined space systems.

FEATURES

- Locking head assembly
- Smooth exterior finish
- Two (2) forged steel anchor eyes
- Leg security chain
- Slip resistant rubber pads on feet
- Design for uneven ground pins adjustment 2¾ in. (70 mm) increments. Secondary adjustments at 5½ in. (140 mm) intervals
- Optional leg mounting bracket for bi-directional lifeline device

APPLICABLE STANDARDS

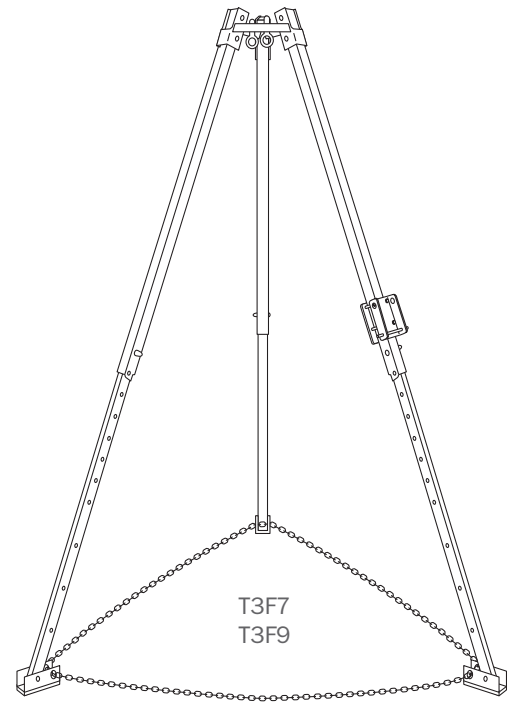
- Manufactured in accordance with ANSI, OSHA and CSA requirements.
- Meets and/or exceeds 5,000 lbs. (22.2 kN) strength requirements for anchorage point.

AVAILABLE MODELS

- **T3F7** 7 ft. (2.1 m) adjustable aluminum tripod
- **T3F9** 9 ft. (2.7 m) adjustable aluminum tripod

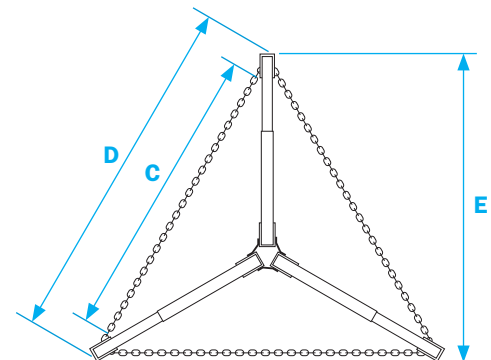
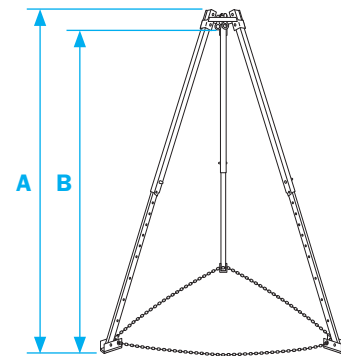
ACCESSORIES

- **T90B4** Quick mount bi-directional bracket
- **T90B5** Attachment plate of the leg mount bracket



SPECIFICATIONS	T3F7	T3F9	
CONSTRUCTION	Aluminum		
RATED CAPACITY FOR FALL ARREST	310 lbs. (140 kg), one person		
MINIMUM BREAKING STRENGTH	5,000 lbs. (22.2 kN)		
COLLAPSED STORAGE SIZE	12 x 62 in. (30 x 157 cm)	12 x 84 in. (30 x 213 cm)	
WEIGHT	39 lbs. (17.7 kg)	47 lbs. (21.3 kg)	
DIMENSIONS	A MIN.	52 in. (132 cm)	77 in. (196 cm)
	A MAX.	85½ in. (217 cm)	111 in. (282 cm)
	B MIN.	47 in. (119 cm)	72 in. (183 cm)
	B MAX.	80½ in. (204 cm)	106 in. (269 cm)
	C MIN.	39½ in. (100 cm)	49 in. (124 cm)
	C MAX.	66 in. (168 cm)	74 in. (188 cm)
	D MIN.	48½ in. (123 cm)	57 in. (145 cm)
	D MAX.	74 in. (188 cm)	82 in. (208 cm)
	E MIN.	39 in. (99 cm)	58 in. (147 cm)
	E MAX.	62 in. (157 cm)	72 in. (183 cm)

NOTE: Min. measurements refer to tripod in fully collapsed position, max. at fully extended.



Specifications are subject to change without notice. Images are for illustrative purposes only.